

OUTDOOR VANDAL IK10 DOME CAMERA



Made In Japan

MASAMITSU
SECURITY TECHNOLOGY OF JAPAN

8.0 / 5.0 / 3.0 Mega-Pixel,
H.265 Support

ONVIF | **S**

Ver. 2.4 Compliant



Ex Series Ex Series	IK10 IK10 VANDAL	IP66 WATER PROOF IP66	H.265 H.264 MJPEG ADVANCE	140DB TRUE WDR TRUE WDR	AUTO FOCUS AUTO FOCUS	AUTO IRIS AUTO IRIS	D/N ICR D/N ICR	SMART IR Smart IR	PRIVACY MASK P - Mask	SENS-UP Sens - UP
ATW ATW	DEFOG DEFOG	BLC BLC	MOTION DETECTION M.Detection	BUILT IN VCA AI	LOW BIT RATE WITH ROI ROI	AUDIO IN/OUT AUDIO I/O	TF CARD TF CARD	ALARM IN / OUT (TTL) ALARM I/O	PoE IEEE 802.3AF CLASS 2 External PoE	12 VOLT DC 12 VOLT DC

MSIPV4-16ES-Ex / MSIPV4-16GS-Ex / MSIPV4-16TS-Ex

- Built with **3** Layer **Gold** Board
- IK10 and IP66 NETWORK DOME
- 3.0 Mega-pixel CMOS Sensor (MSIPV4-16ES-Ex)
- 5.0 Mega-pixel CMOS Sensor (MSIPV4-16GS-Ex)
- 8.0 Mega-pixel CMOS Sensor (MSIPV4-16TS-Ex)
- 2.8~12 mm Vari-Focal Motorized lens, (MSIPV4-16ES-Ex)
- 2.8~12 mm Vari-Focal Motorized lens, (MSIPV4-16GS-Ex)
- 3.0~10 mm Vari-Focal Motorized lens, (MSIPV4-16TS-Ex)

- True Day/Night with ICR, (VCA) Temper Detection & ROI
- High contrast image at night with customized optical components
- Hybrid SMT IR LED
- Max. 5~35 meters true Night Vision Distance, Ultra clear image at night without dark corner

OUTDOOR VANDAL IK10 DOME CAMERA

8.0 / 5.0 / 3.0 Mega-Pixel



Made In Japan

MASAMITSU
SECURITY TECHNOLOGY OF JAPAN



Product may vary in appearance and specifications. Product available with PoE and Without PoE.

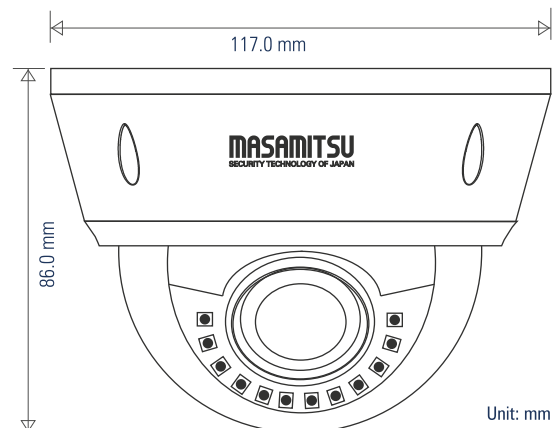
- Built with Ray Gold Board
- IK10 and IP66 NETWORK DOME
- 3.0 Mega-pixel CMOS Sensor (MSIPV4-16ES-Ex)
- 5.0 Mega-pixel CMOS Sensor (MSIPV4-16GS-Ex)
- 8.0 Mega-pixel CMOS Sensor (MSIPV4-16TS-Ex)
- 2.8~12 mm Vari-Focal Motorized lens, (MSIPV4-16ES-Ex)
- 2.8~12 mm Vari-Focal Motorized lens, (MSIPV4-16GS-Ex)
- 3.0~10 mm Vari-Focal Motorized lens, (MSIPV4-16TS-Ex)
- True Day/Night with ICR,
- (VCA) Temper Detection, Target count, Area Detection, Object Lost/ left, Line crossing Detection
- Protocol HTTP, PPPoE, UPNP, FTP, DDNS, VPN, RTSP, etc.
- Support 140dB True WDR (Wide Dynamic Range) / Auto Exposure / White Balance / Motion Detection / BLC / Image Setup / Day / Night/AGC, Privacy Mask, Temper Detection Function, etc.
- Audio I/O, Alarm I/O, SD Card Slot, Reset, RS-485
- High contrast image at night with customized optical components
- Hybrid SMT IR LED
- Max. 5~35 meters true Night Vision Distance, Ultra clear image at night without dark corner

TECHNICAL SPECIFICATIONS

Model Name	MSIPV4-16ES-Ex 3.0 Mega	MSIPV4-16GS-Ex 5.0 Mega	MSIPV4-16TA-Ex 8.0 Mega
VIDEO PARAMETERS			
Imaging Device	1/2.7" Progressive Sony IMX307 Sensor	1/2.7" Progressive Sony IMX335 Sensor	1/1.8" Progressive Sony IMX415 Sensor
Total Pixels	2,048(H)X1,536(V)	2,560(H)X1,960(V)	3,840(H)X2,160(V)
Scanning System	Progressive Scan Sensor		
Min. Illumination	Color: 0.1Lux@F1.2 (AGC OFF), B/W: 0.0Lux@F1.2 (IR ON)		
S/N Ratio	More than 50 dB (AGC OFF)		
Video Compression	H.265, H.264, M-JPEG		
Video Quality	H.265, H.264: Compression Level, Target Bit rate Level Control (CBR/VBR), M-JPEG: Quality Level Control		
Data Rate Control	Video Compression level of H.265, H.264, Video Frame rate, Bit rate CBR or VBR		
Dual Stream	Main Stream: 2048*1536/1920*1080 / 1280*720 Sub Stream: 704*576/640*480/ 320*240	Main Stream: 2560*1960/2592*1520/ 2048*1536/1920*1080 Sub Stream: 704*576/640*480/ 320*240	Main Stream: 3840X2160, 2592X1944, 2548X1536, 640X480, 320X240 Sub Stream: 704*576/640*480/ 320*240
Max. Frame rate	2048X1536@20fps; 1920X1080@25/30fps; 1280X960@25/30fps	2560X1960@15fps; 2592X1520@25/30fps; 2048X1536@25/30fps	3840X2160@25fps 2560X1960@15fps; 2592X1520@25/30fps; 2048X1536@25/30fps
LENS PARAMETER			
Lens Type	2.8~12 mm Vari-Focal Motorized Lens (All models)		3~10mm Vari-Focal Motorized Lens
OTHER FUNCTIONS			
WDR (Two Exposure)	140dB (Off/Low/Middle/High)		
Digital WDR	Support All Models		
Day&Night	True Day Night with ICR		
DNR	3DNR		
Motion Detection	4 Area Selectable Support		
Privacy Masking	4 Area Selectable Support		
Gain Control	Max. AGC to 255		
White Balance	Auto White Balance (AWB)		
Electronic Shutter	Auto/A.FLK/Manual		
Flip/Mirror	Support All Models		
IR PARAMETERS WITH SELECTION OF LENS			
IR LED	Split Beam 45° / 60° Customized SMT IR LED		
IR Distance & Lens	2.8~12 mm lens / 3.0~10 mm lens(5~35 mt.)		
NETWORK PARAMETERS			
Ethernet	RJ45 for 10BASE-T/100BASE-TX PoE		
Audio	1 RCA Audio In-Put / 1 RCA Audio Out-Put		

Video	1 Ch. 1.0 Vp-p Composite Video Out-Put
Alarm	2 Ch. Alarm Input / 1 Ch. Alarm Output
TF Card	Support Max. 128 GB , Micro SD (SDHC / SDXC)
Reset	Support
RS-485	Support
Protocol	HTTP, PPPoE, UPNP, FTP, DDNS, VPN, RTSP, etc.
ONVIF Conformance	Support ONVIF Profile S Ver.2.4
CMS Software	Support
ENVIRONMENTAL PARAMETERS	
Temperature/ Humidity	-10°C to +50°C , 0% to 90% (non-condensing)
Ingress Protection	Waterproof Housing (IP66) / IK10 Vandal Proof Dome
ELECTRICAL PARAMETERS	
Power over Ethernet	Power over Ethernet IEEE 802.3af Class 2 (External, Supplied)
Input Voltage/ Current	190mA/DC12V; 330mA/DC12V with IR LED ON
Power Consumption	Day:1.92W Night:3.96W
MECHANICAL PARAMETERS	
Color/ Material	Body: White Epoxy Spray Paint / Aluminum Dai Cast / PC Dome Cover
Dimensions	117.0 mm (Base Dia.) X 86.0 mm (H)
Weight	Approx. 500 g

DIMENSIONS



The above mentioned technical drawings are for reference only.
All dimensions are in millimeters and approximate.

Masamitsu Technologies may, at any time and without notice, make changes or improvements to the products and services offered and/or cease producing or commercializing them. The Masamitsu logo and trademark are properties of Masamitsu Technologies.

Authorised Dealer / Representative.

MASAMITSU
SECURITY TECHNOLOGY OF JAPAN

<http://www.masamitsu-tech.net>

Print V1.0 2K20



MASAMITSU V4 APP